

BACnet Commercial Thermostat

F08-PSB-A Series

Proportional-Action Control Thermostat

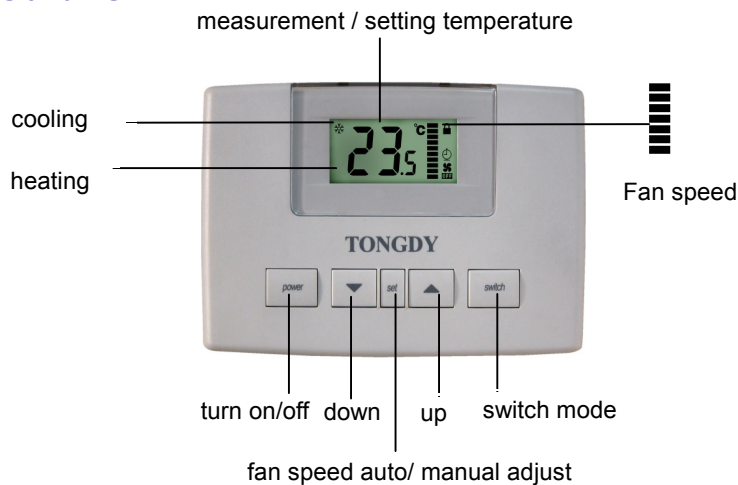


Tongdy Control Technology Co., Ltd
www.tongdy.com

■ Features

- Typical used in FCU air conditioning systems, ventilation systems, and water valve control and other systems
- Designed for BACnet MS/TP network with a PIC statement to further facilitate integration.
- PI(proportional and integral) individual room temperature control with a 0~10VDC analog output provides accurate, stable temperature control
- Control a single fan or 3-speed fan
- Control one stage or two stages electric aux. heater
- A PIC statement is supplied to be easily mapped back to a graphical user interface.
- Self configuring / adjustable baud-rate senses the communication conditions of the current MS/TP network and match them.
- LCD can display working status such as room temperature, set point, etc. Makes reading and operating easy and accurate.
- All models feature user-friendly setting buttons
- Low temperature protection
- Celsius or Fahrenheit degree selectable
- Two-part structure and quick wiring terminal block make mounting easier.
- Blue backlight display optional
- Infrared remote control optional

■ Buttons and LCD



■ Shipping Information

Indiv. Ctn. Dim	135mm×55mm×32mm
Master Ctn. Qty	40
Master Ctn. Dim	44cm(L)X32cm(W)X32cm(H)
Master Ctn. Wt.	15KG

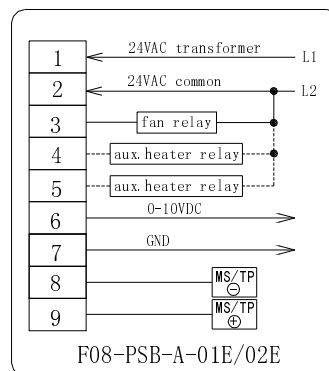
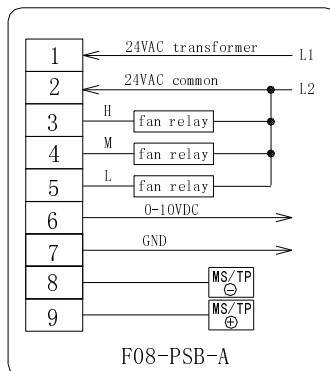
Specifications

Power supply	220VAC±10% , 110VAC±10% , 24 VAC±20% selectable in order
Rate contact current for the fan and aux. heater	Triac output with 1 amp each terminal
Analog output	1x0~10VDC
Temperature Sensor	NTC 5K
Temperature Control Range	5-35°C
Accuracy	±0.5°C @25°C
BACnet interface	BACnet MS/TP with adjustable baud-rate
Display	LCD
Protection class	IP30
Weight	300g
Dimensions	130mm(L)×90mm(W)×32mm(H)
Mounting Standard	Mounting on the wall, 2"×4" or 65mm×65mm box

Models

Type	Model	Characteristic
BACnet Thermostat with Proportion-Action Control power supply: 24 VAC	F08-PSB-A	BACnet thermostat for a 3-speed fan, 1x0~10VDC output to a water valve.
	F08-PSB-A-01E	BACnet thermostat for single speed fan control, 1x 0~10VDC output to a water valve, 1xOn/Off output to an electric heater
	F08-PSB-A-02E	BACnet thermostat for single speed fan control, 1x 0~10VDC output to a water valve, 2xOn/Off outputs to two stage electric heater
OPTIONS		
Accessional Options	Infrared Remote Control -R	Infrared remote control
	Backlight LCD -EL	Blue backlight of LCD

Wiring Diagrams



TONGDY CONTROL TECHNOLOGY CO., LTD

Add: T3-3-5F, IN-DO Mansion, No. Jia 48 Zhichun Road, Beijing100098 P.R.China

Tel: +86 10 58731277

Fax: +86 10 58731275

http://www.tongdy.com



ISO9001